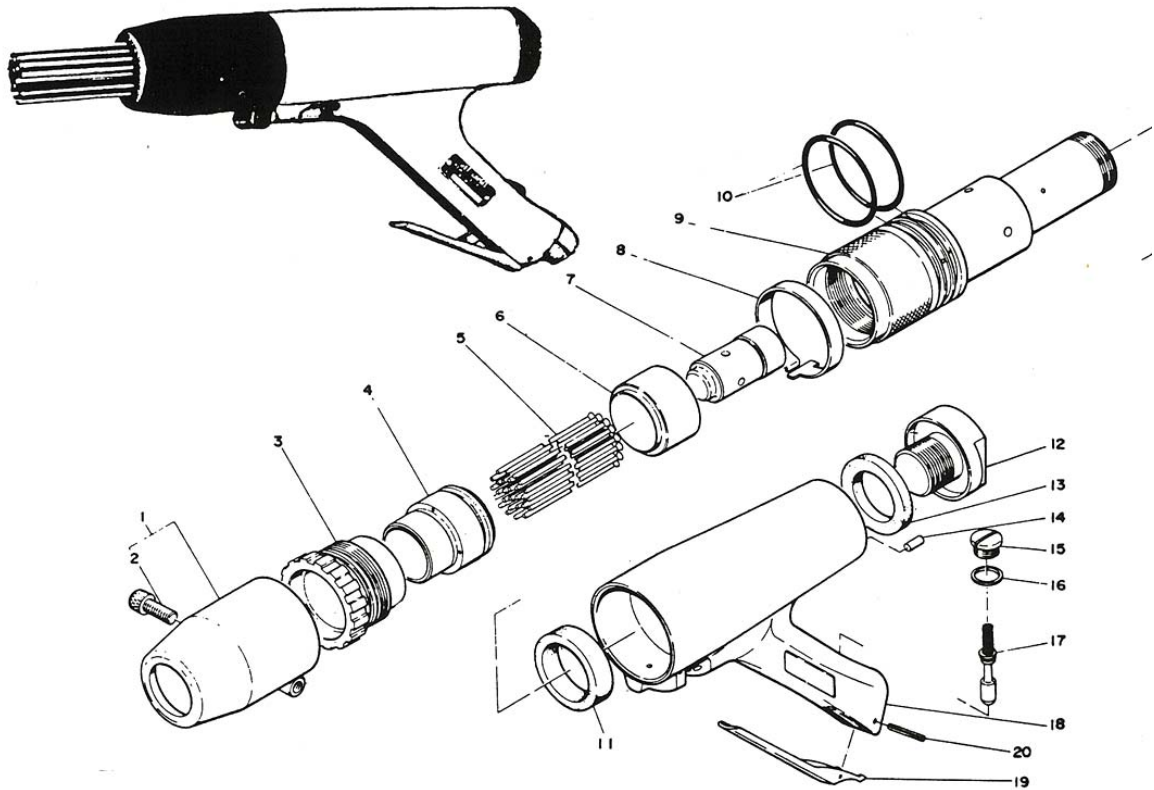




GP-0319 NEEDLE SCALERS



www.air-allied.com.au



PARTS DESCRIPTION

NO.

| | |
|------|--------------------------|
| 01. | ROUND NEEDLE GUIDE ASS'Y |
| 02. | HEX SOCKET HEAD BOLT |
| 03. | STOP RING |
| 04A. | NEEDLE SUPPORTER 2mm |
| 04B. | NEEDLE SUPPORTER 3mm |
| 04C. | NEEDLE SUPPORTER 4mm |
| 05A. | NEEDLR 2mm x 180mm (66) |
| 05B. | NEEDLE 3mm x 180mm (28) |
| 05C. | NEEDLE 4mm x 180mm (14) |
| 06. | THROTTLE ANVIL |
| 07. | PISTON |
| 08. | SAFETY BAND |
| 09. | CYLINDER |

PARTS DESCRIPTION

NO.

| | |
|-----|----------------------|
| 10. | "O"RING W-4 (2) |
| 11. | FRONT WASHER |
| 12. | REAR BOLT ASS'Y |
| 13. | REAR WASHER |
| 14. | CYLINDER LOCK PIN |
| 15. | VALVE CAP |
| 16. | VALVE PACKING |
| 17. | THROTTLE VALVE ASS'Y |
| 18. | HOUSING SUB ASS'Y |
| 19. | THROTTLE LEVER |
| 20. | SPRING PIN 3 x 28 |
| 29. | HEX. WRENCH KEY |